



# OUTERFACE MOTORCYCLES

## BMW R 1300 GS

### QUICK ASSEMBLY GUIDE | LOWER CRASH BARS

FOR FULL INSTALLATION INSTRUCTIONS, PLEASE WATCH [THIS VIDEO](#).

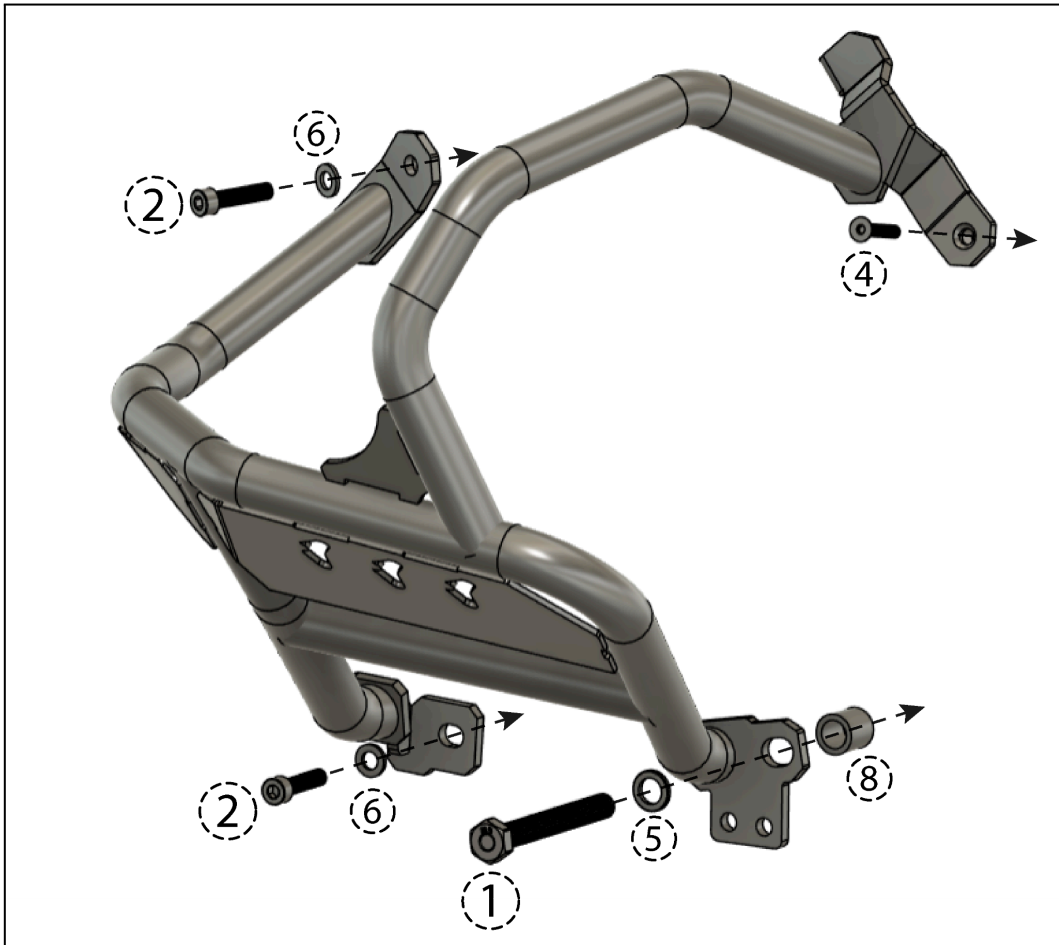
#### **Tools Required**

- 19mm Wrench/Spanner
- Ratchet + Extension
- 4mm Allen Socket
- 6mm Allen Socket
- T27 Torx Socket
- T55 Torx Socket
- 19mm Hex Socket
- Blue Loctite (recommended)

Number	QTY	Specifications	Torque (NM)
<u>1</u>	2	M12 x 100mm Hex Bolt	*
<u>2</u>	3	M8 x 35mm Allen Bolt	23
<u>3</u>	1	M8 x 30mm Allen Bolt	23
<u>4</u>	2	M6 x 35mm Tapered Allen Bolt	10
<u>5</u>	2	M12 Washer	-
<u>6</u>	4	M8 Washer	-
<u>7</u>	1	Tall Spacer	-
<u>8</u>	1	Short Spacer	-

\* PLEASE REFER TO THE OWNER'S (OR SERVICE) MANUAL FOR OEM TORQUE SPECIFICATIONS.\*

**STEP 1:**



**STEP 2:**

