



OUTBACK MOTORCYCLES

BMW R 1300 GS

QUICK ASSEMBLY GUIDE | PANNIER RACK

FOR FULL INSTALLATION INSTRUCTIONS, PLEASE WATCH [THIS VIDEO](#).

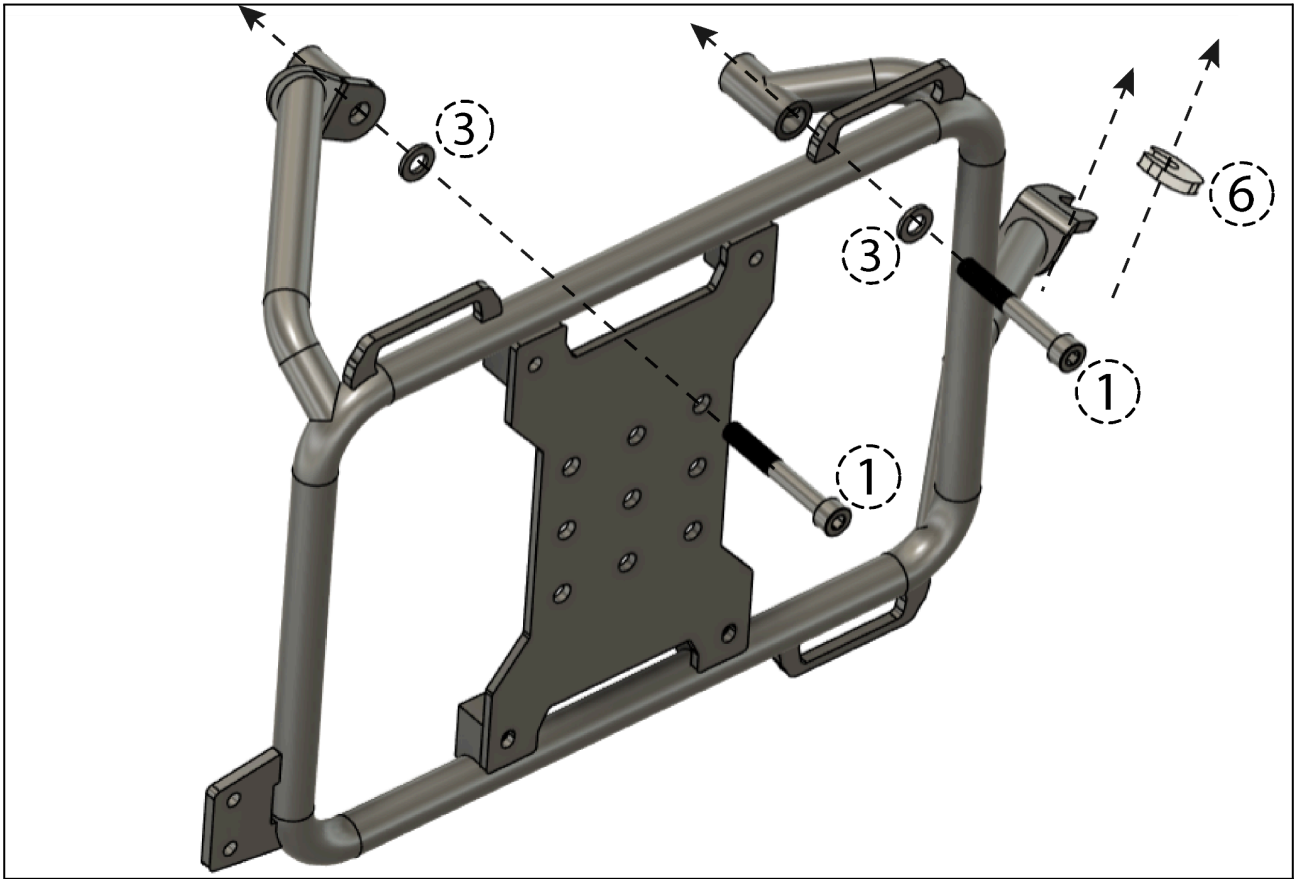
Tools Required

- 10mm Wrench/Spanner
- Ratchet + Extension
- 5mm Allen Socket
- 6mm Allen Socket
- T40 Torx Socket
- Blue Loctite (recommended)

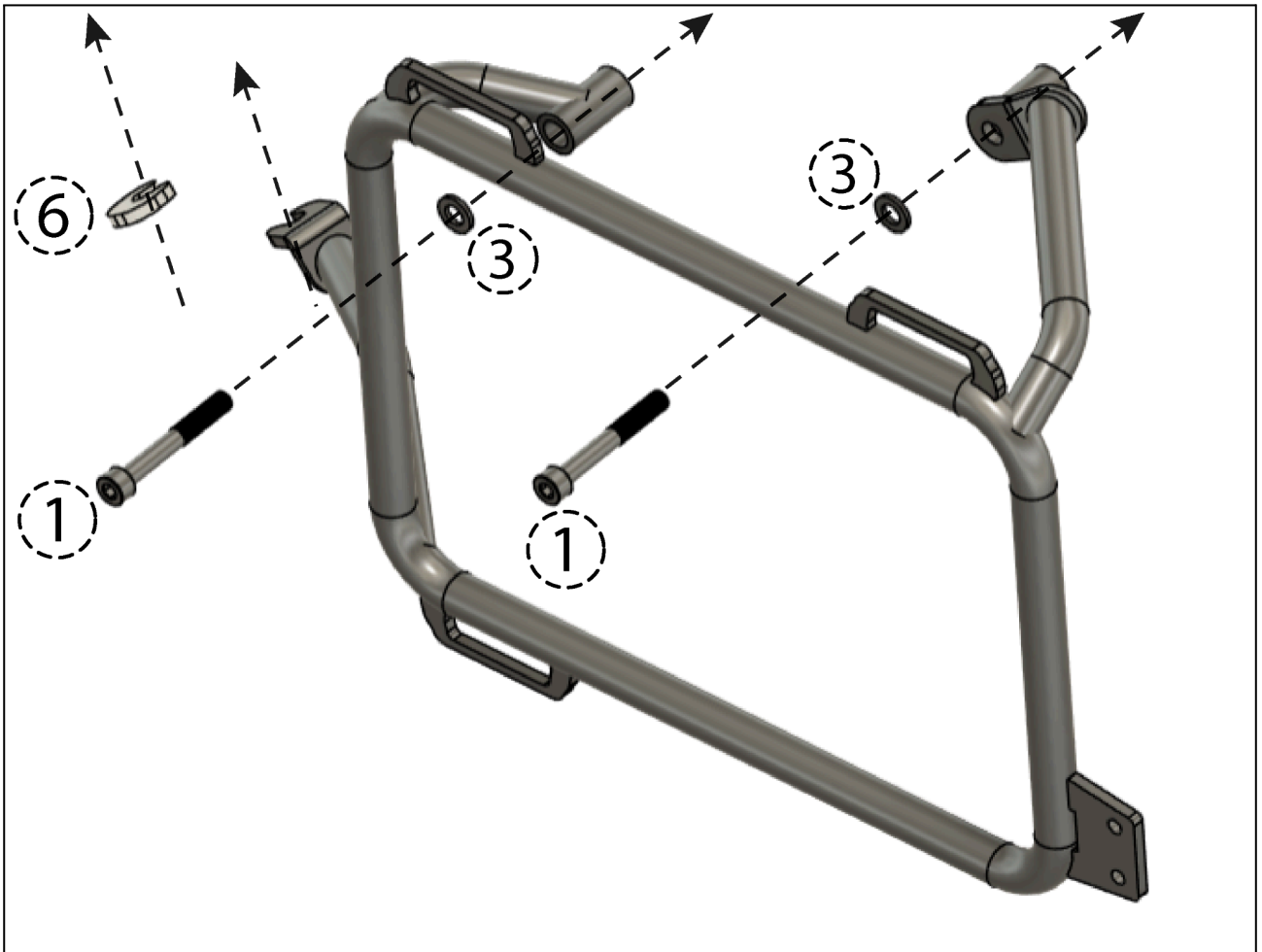
Number	QTY	Specifications	Torque (NM)
<u>1</u>	4	M8 x 60mm Allen Bolt	*
<u>2</u>	4	M6 x 20mm Tapered Allen Bolt	10
<u>3</u>	4	M8 Washer	-
<u>4</u>	8	M6 Washer	-
<u>5</u>	4	M6 Nyloc Nut	-
<u>6</u>	2	Open Ended Spacer	-

* PLEASE REFER TO THE OWNER'S (OR SERVICE) MANUAL FOR OEM TORQUE SPECIFICATIONS.*

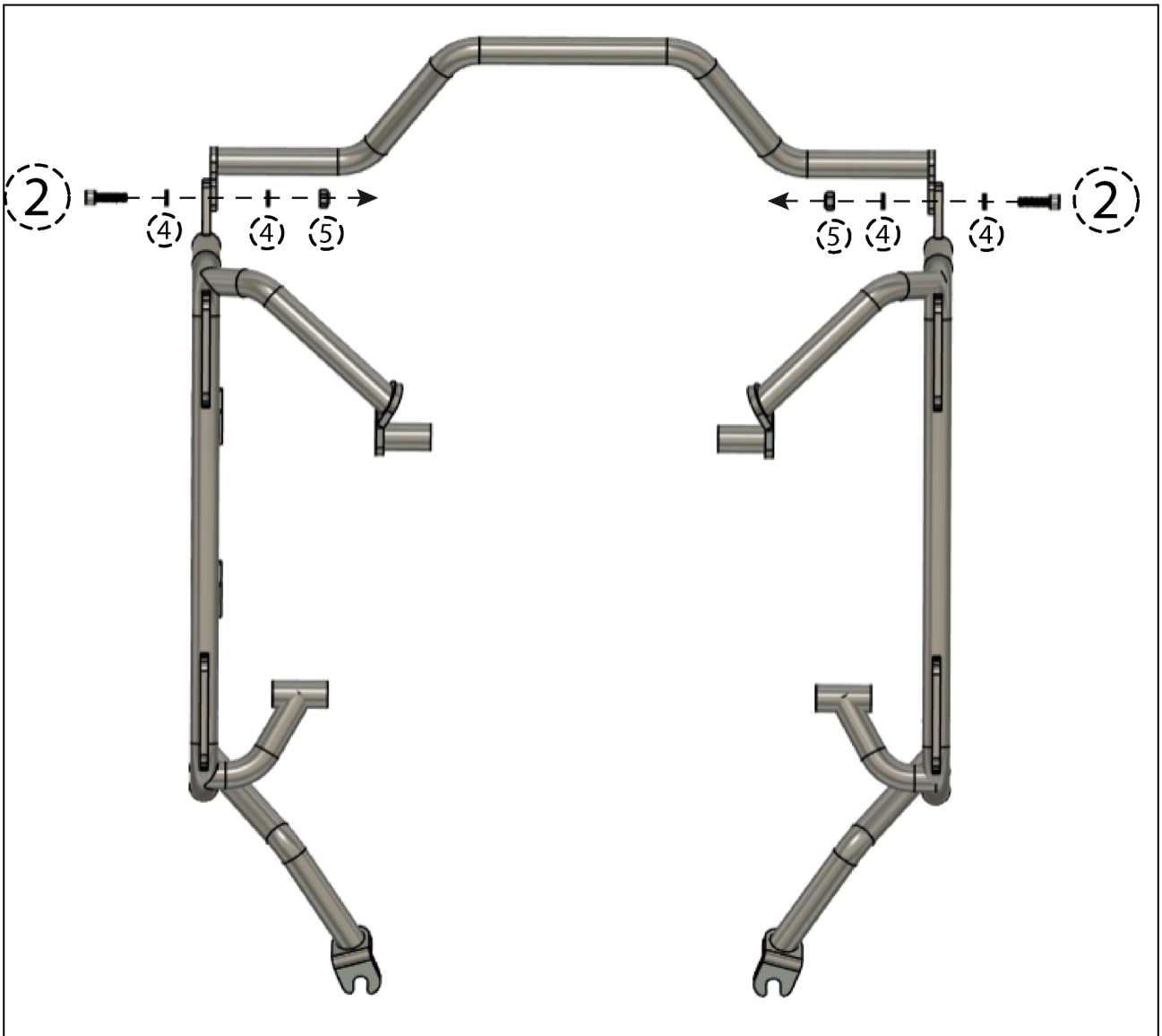
STEP 1:



STEP 2:



STEP 3:



* PLEASE REFER TO THE OWNER'S (OR SERVICE) MANUAL FOR OEM TORQUE SPECIFICATIONS.*