



OUTBACK MOTORCYCLES

BMW R 1300 GS

QUICK ASSEMBLY GUIDE | SKID PLATE

FOR FULL INSTALLATION INSTRUCTIONS, PLEASE WATCH [THIS VIDEO.](#)

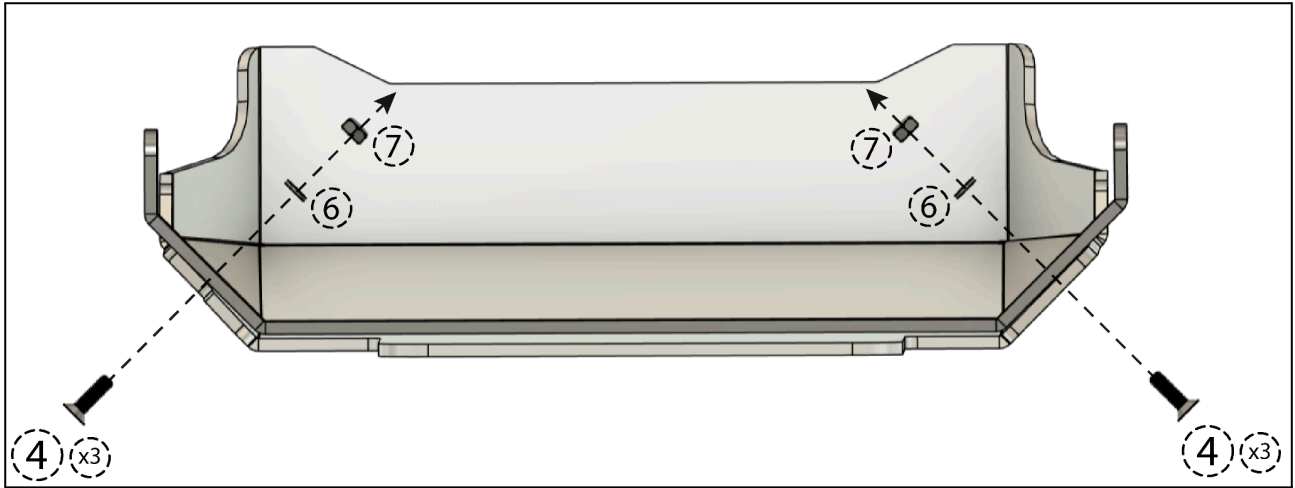
Tools Required

- 10mm Wrench/Spanner
- Ratchet + Extension
- 5mm Allen Socket
- 6mm Allen Socket
- Blue Loctite (recommended)

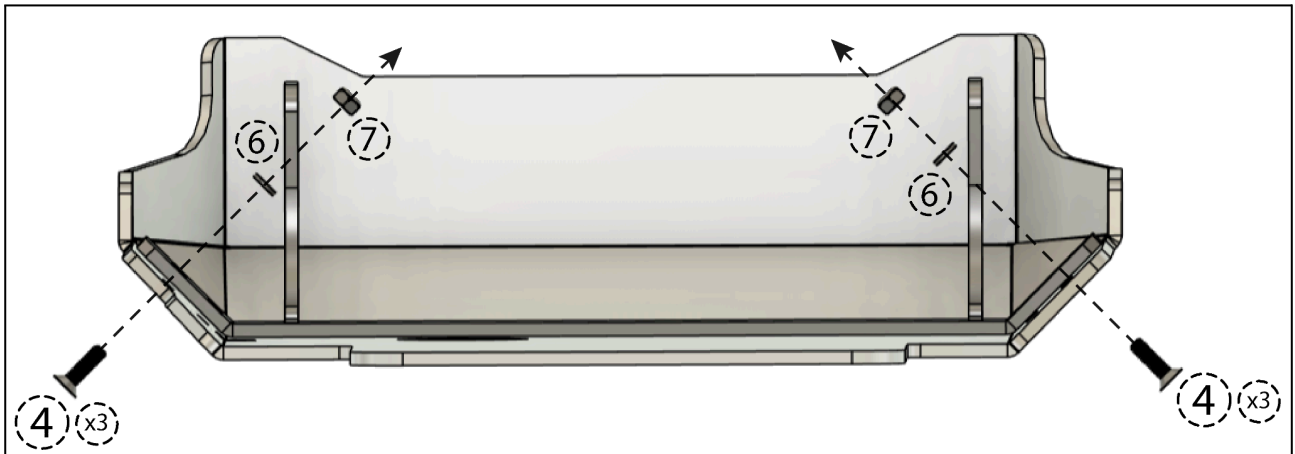
Number	QTY	Specifications	Torque (NM)
<u>1</u>	1	M8 x 40mm Allen Bolt	23
<u>2</u>	1	M8 x 35mm Allen Bolt	23
<u>3</u>	4	M8 x 20mm Allen Head	23
<u>4</u>	12	M6 x 20mm Allen Head	10
<u>5</u>	6	M8 Washer	-
<u>6</u>	12	M6 Washer	-
<u>7</u>	12	M6 Nyloc Nut	-
<u>8</u>	2	6mm Spacer	-

* PLEASE REFER TO THE OWNER'S (OR SERVICE) MANUAL FOR OEM TORQUE SPECIFICATIONS.*

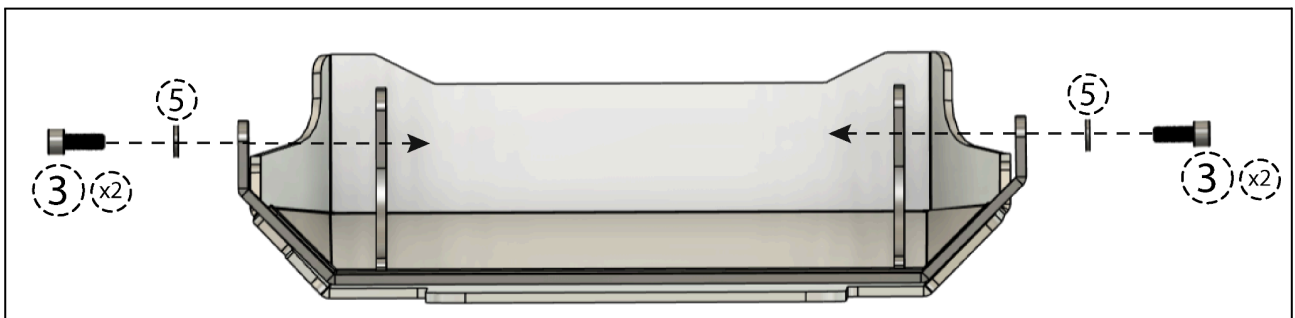
STEP 1:



STEP 2:

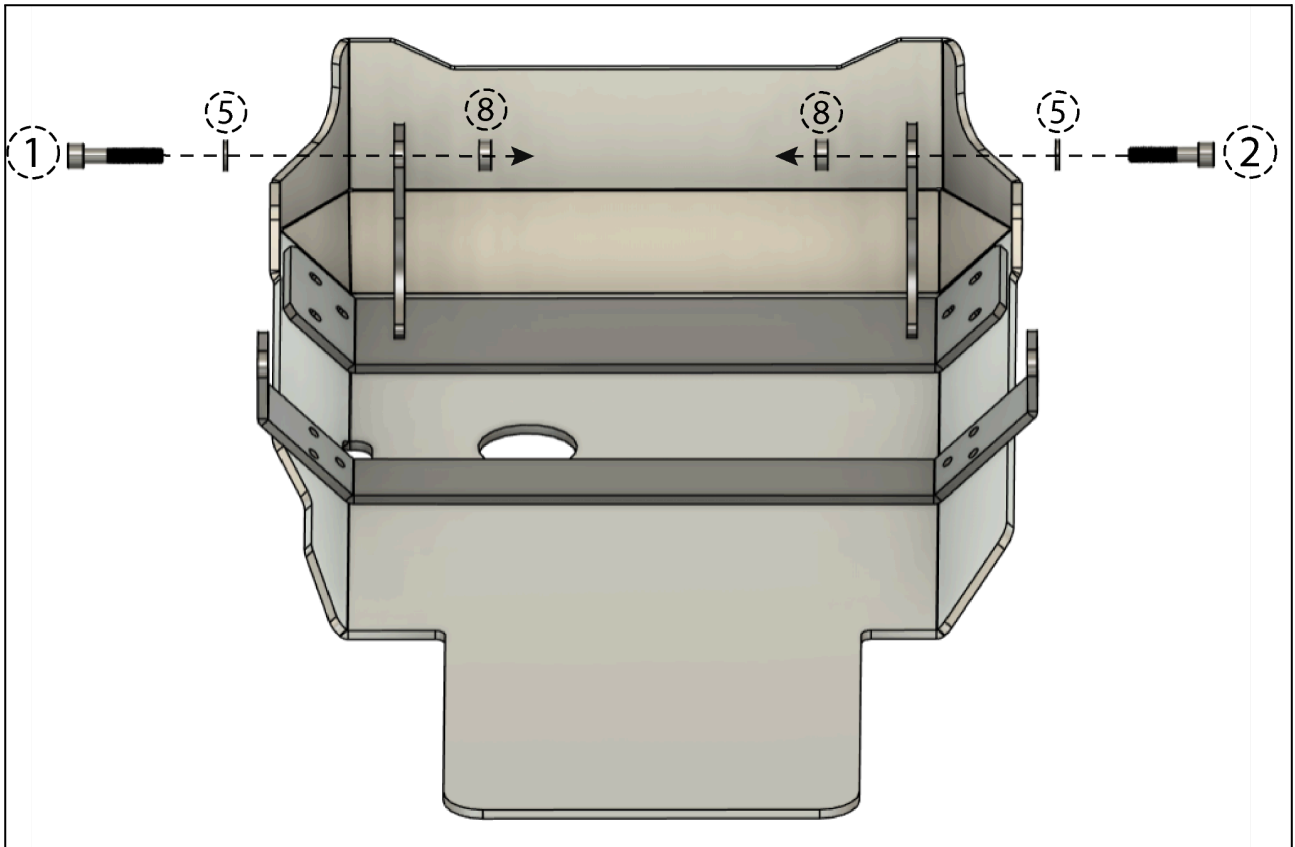


STEP 3:



* PLEASE REFER TO THE OWNER'S (OR SERVICE) MANUAL FOR OEM TORQUE SPECIFICATIONS.*

STEP 4:



* PLEASE REFER TO THE OWNER'S (OR SERVICE) MANUAL FOR OEM TORQUE SPECIFICATIONS.*