



OUTBACK MOTORCYCLE

Aprilia Tuareg 660

QUICK ASSEMBLY GUIDE | SKID PLATE

FOR FULL INSTALLATION INSTRUCTIONS, PLEASE WATCH [THIS VIDEO](#).

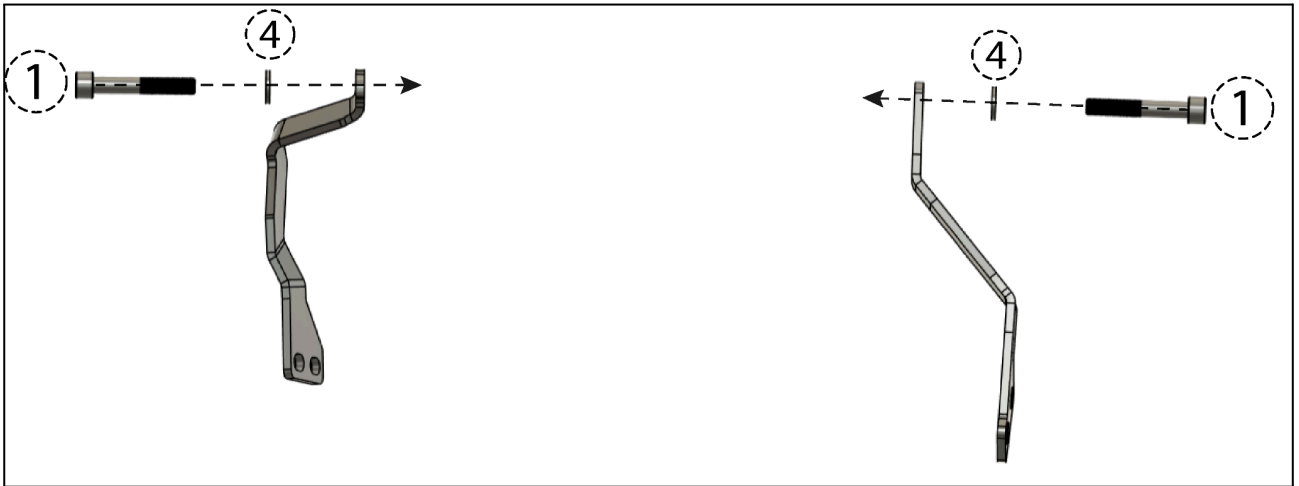
Tools Required

- 10mm Wrench/Spanner
- 13mm Wrench/Spanner
- Ratchet + Extension
- 5mm Allen Socket
- 8mm Allen Socket
- 10mm Hex Socket
- 13mm Hex Socket
- Blue Loctite (recommended)

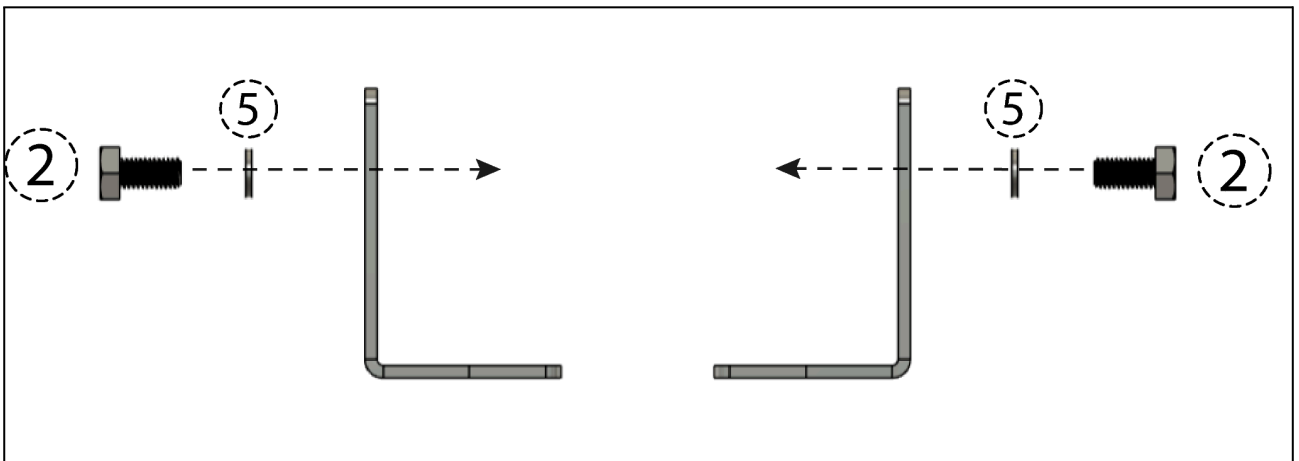
Number	QTY	Specifications	Torque (NM)
<u>1</u>	2	M10 x 60mm Allen Bolt	*
<u>2</u>	2	M8 x 20mm Hex Bolt	23
<u>3</u>	8	M8 x 16mm Tapered Allen Bolt	10
<u>4</u>	2	M10 Washer	-
<u>5</u>	10	M8 Washer	-
<u>6</u>	8	M8 Nyloc Nut	-

* PLEASE REFER TO THE OWNER'S (OR SERVICE) MANUAL FOR OEM TORQUE SPECIFICATIONS.*

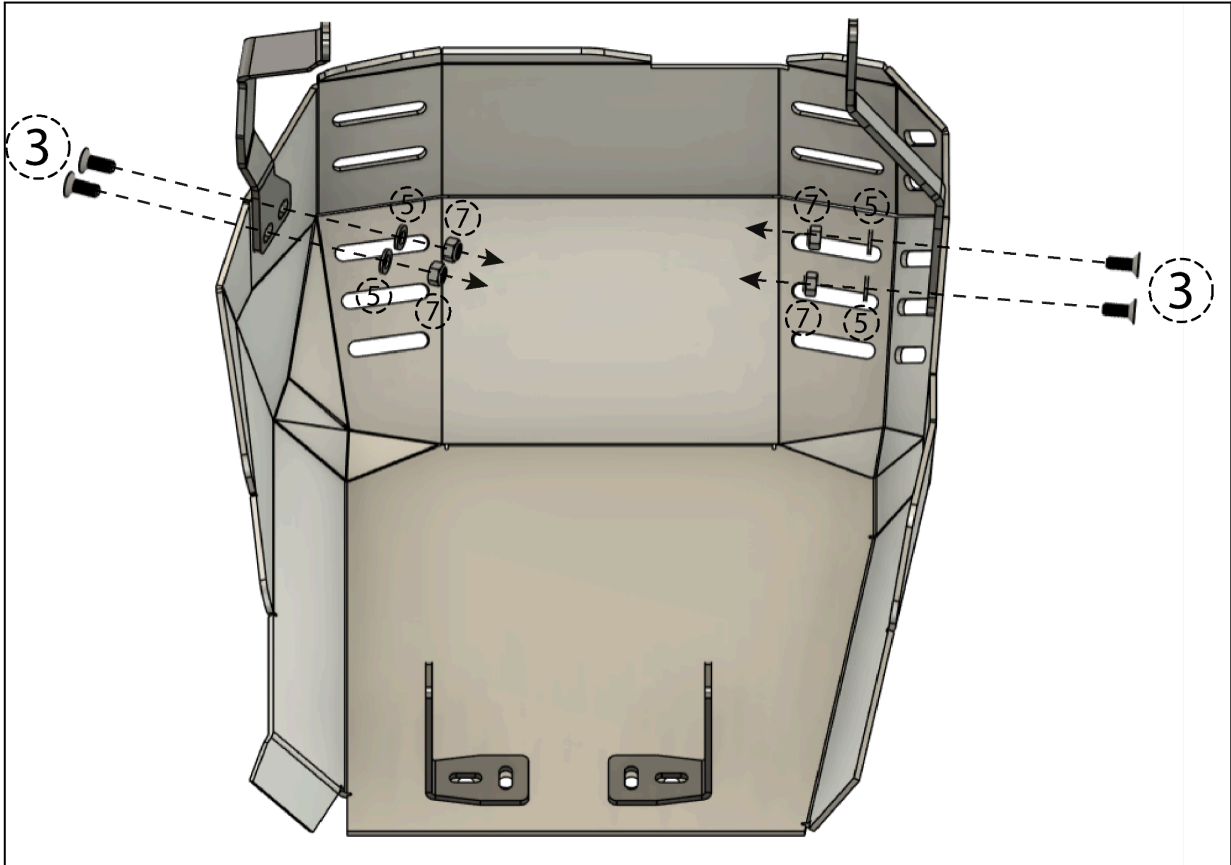
STEP 1:



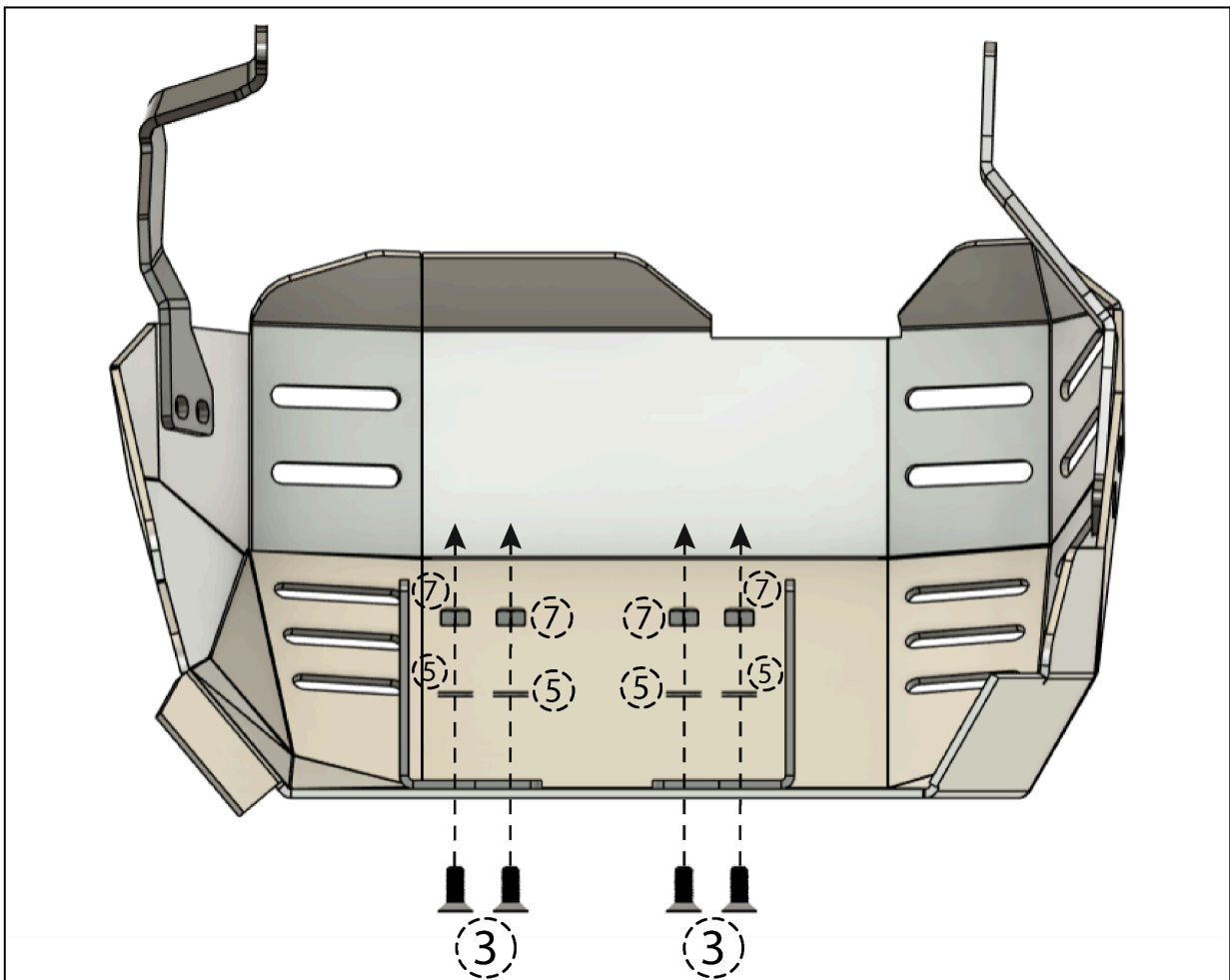
STEP 2:



STEP 3:



STEP 4:



* PLEASE REFER TO THE OWNER'S (OR SERVICE) MANUAL FOR OEM TORQUE SPECIFICATIONS.*