



OUTBACK MOTORCYCLE

2024+ KTM 500 EXC-F

QUICK ASSEMBLY GUIDE | SKID PLATE

FOR FULL INSTALLATION INSTRUCTIONS, PLEASE WATCH [THIS VIDEO](#).

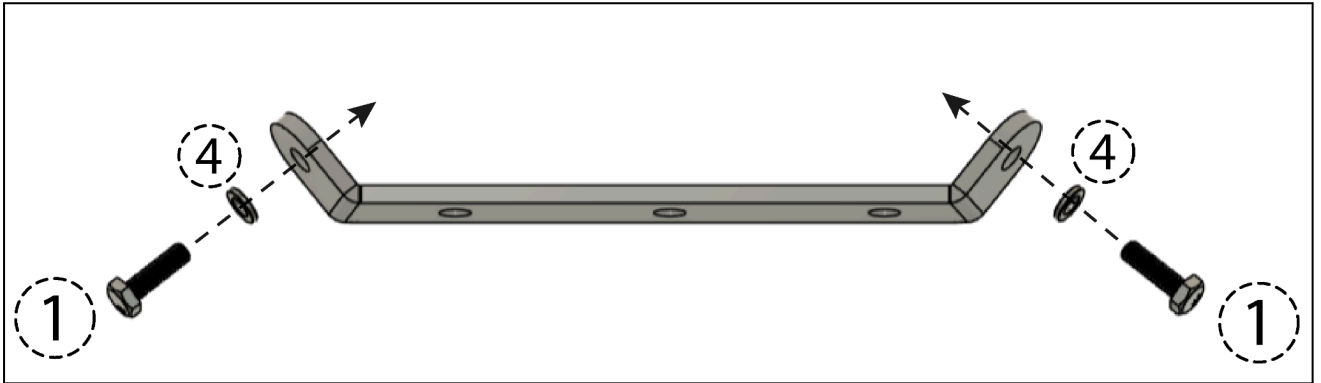
Tools Required

- Ratchet + Extension
- 10mm Hex Socket
- 4mm Allen Socket
- T30 Torx Socket
- Blue Loctite (recommended)

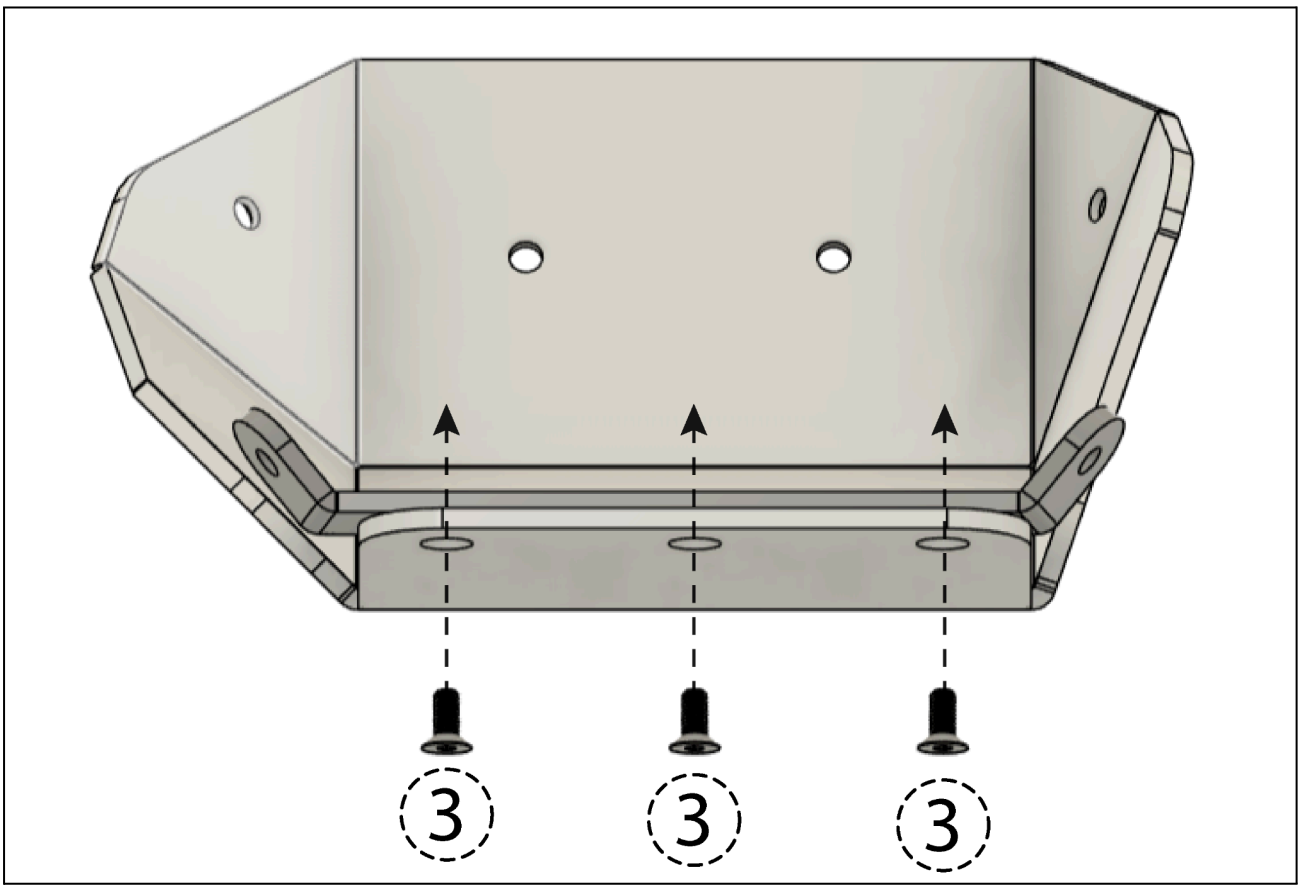
Number	QTY	Specifications	Torque (NM)
<u>1</u>	2	M6 x 20mm Hex Bolt	10
<u>2</u>	4	M6 x 20mm Tapered Allen Bolt	10
<u>3</u>	3	M6 x 12mm Tapered Allen Bolt	10
<u>4</u>	2	M6 Washer	-

* PLEASE REFER TO THE OWNER'S (OR SERVICE) MANUAL FOR OEM TORQUE SPECIFICATIONS.*

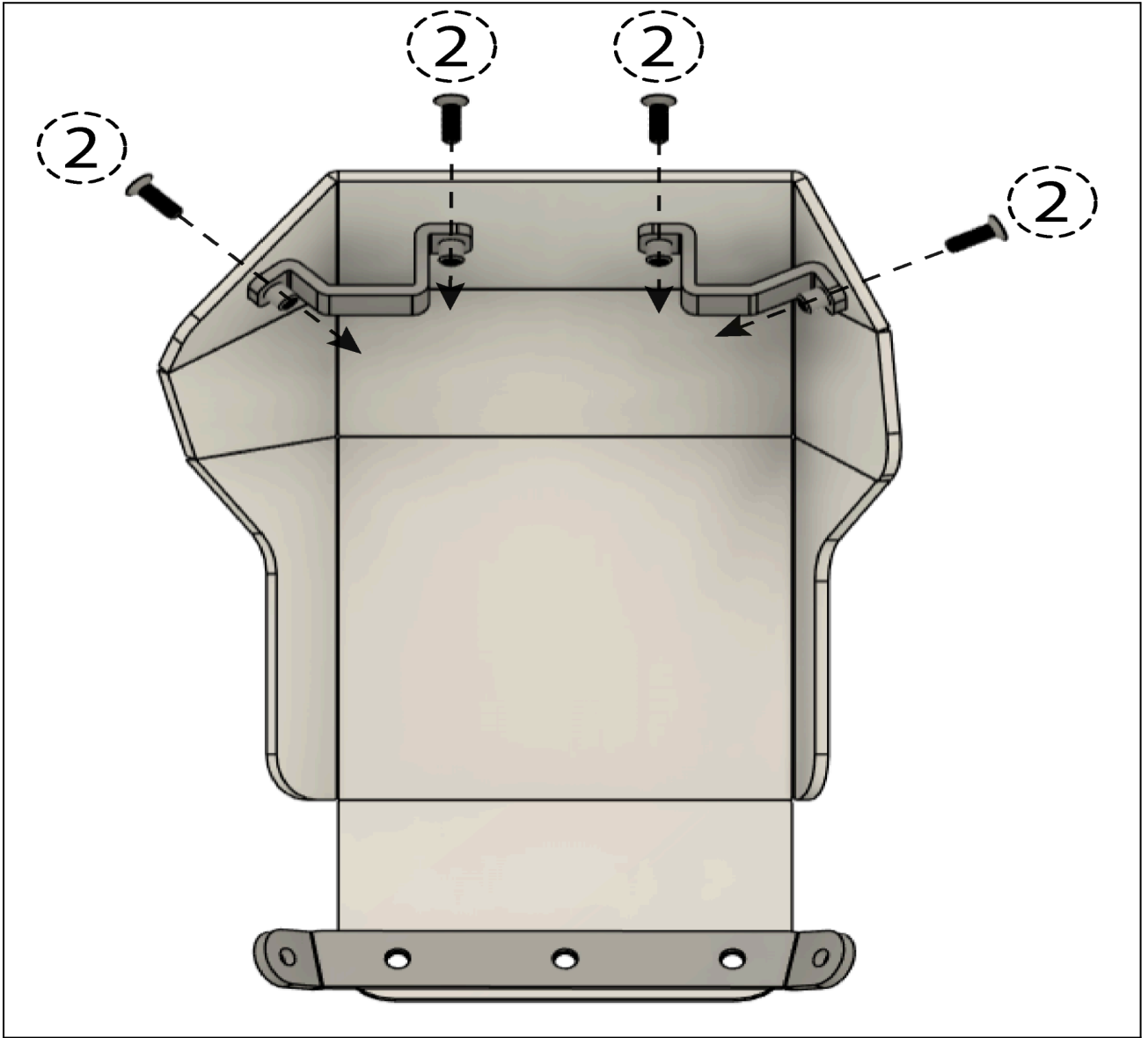
STEP 1:



STEP 2:



STEP 3:



* PLEASE REFER TO THE OWNER'S (OR SERVICE) MANUAL FOR OEM TORQUE SPECIFICATIONS.*